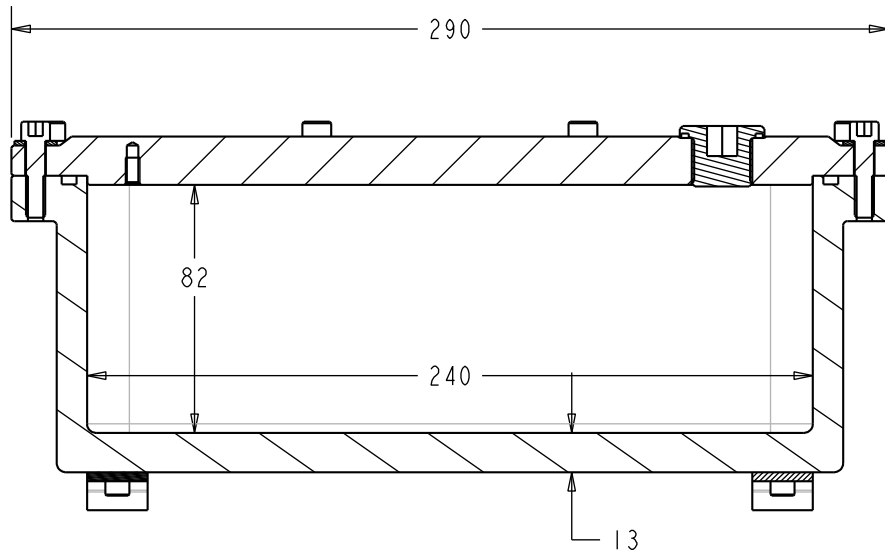
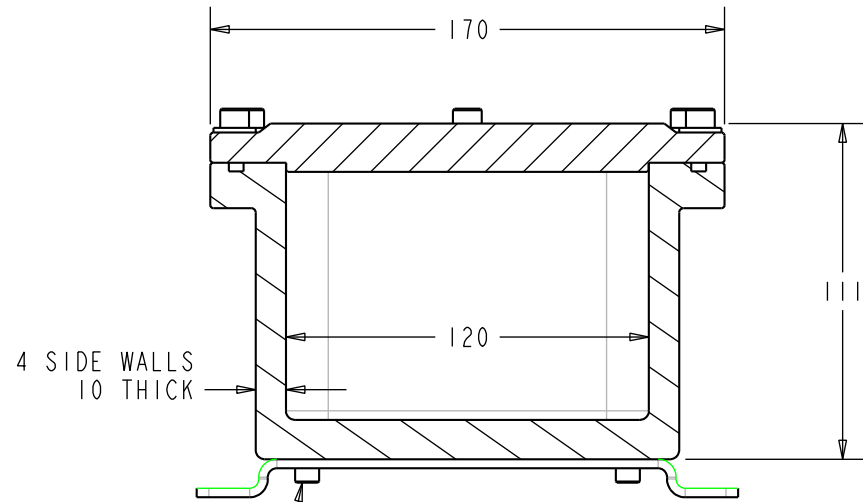


3RD ANGLE

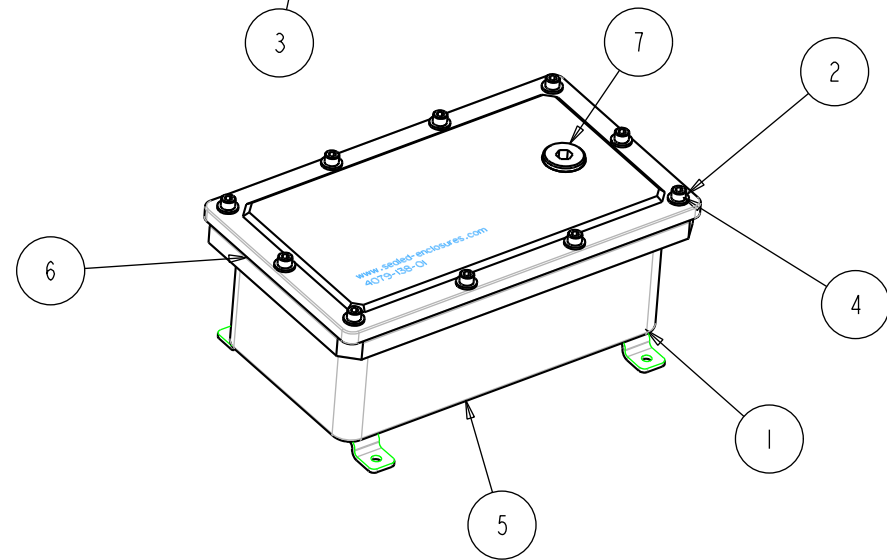
© 2013 THE INFORMATION CONTAINED WITHIN THIS DRAWING IS THE COPYRIGHT OF MECHANICAL DESIGNS LTD PTY AND MAY NOT BE USED WITHOUT PRIOR CONSENT



SECTION A-A
SCALE 0.400



SECTION B-B



ITEM	DESCRIPTION	MATERIAL	QTY
1	BRIDGE FOOT	316 S/STEEL	2
2	M5 OVERSIZE WASHER	A4 ST/STEEL	10
3	SCREW;SOC.CAP;#10-32X3/8;S.S.	A4 ST/STEEL	4
4	SCREW;SOC.CAP;1/4-20X1;S.S.	A4 ST/STEEL	10
5	BOX BODY	ALUMINIUM GRADE 5083	1
6	BOX LID	ALUMINIUM GRADE 5083	1
7	BLANKING PLUG M25 X 1.5	ST/STEEL 316S33	1

Sealed Enclosures
 www.sealed-enclosures.com
 FACTORY 4, 43-47 RIVERSIDE AVENUE WERRIBEE VICTORIA 3030 AUSTRALIA
 Tel +61 (0)3 8742-3525 Fax +61 (0)3 9923-6497

TITLE	BILLET BOX	PROJECT	STANDARD HOUSING	DRAWING NO	4079	ISSUE	ISSUE DATE	12th Nov 2012	
RATING	DEPTH RATING 200 METERS	NOTES	MACHINE FROM SOLID	UNITS	mm	DRAWN BY	E Bowes	CHECKED BY	TA
							SHEET		